

# 96042 Tune-Up Kit

**For Use With Models:**

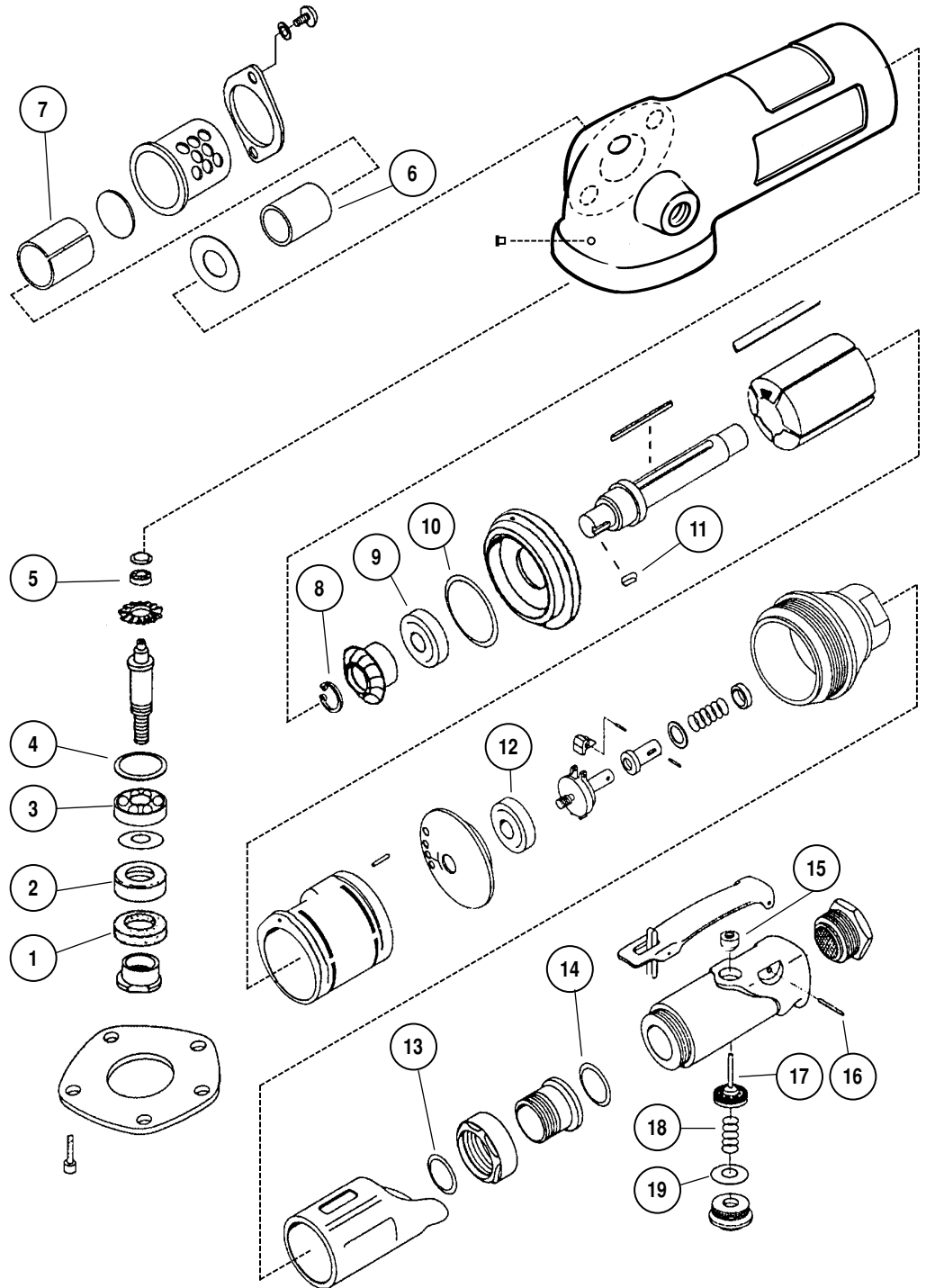
**50345, 50346, 50349, 50350, 50360**

*Air Motor and Machine Parts*

Parts included in tune-up kit are identified by part number. Not all parts are required for all tools.  
Please refer to appropriate parts page for additional identification and disassembly/assembly instructions.

## Index Key

No.	Part #	Description
1	52089	Washer
2	50412	Felt Ring
3	50431	Bearing
4	52120	Shim (3/Pkg.)
5	12152	Bearing
6	52168	Silencer
7	52167	Felt Silencer
8	95939	Retaining Ring
9	01036	Bearing
10	01277	Shim (4/Pkg.)
11	50435	Key
12	01007	Bearing
13	02658	Packing
14	01746	O-Ring
15	07142	Bushing
16	01017	Pin
17	07168	Valve Stem Assembly
18	07145	Spring
19	07146	Packing



**DYNABRADE, INC.**

[www.dynabrade.com](http://www.dynabrade.com)

8989 Sheridan Drive • Clarence, NY 14031-1490 • Phone: (716) 631-0100 • Fax: 716-631-2073 • International Fax: 716-631-2524

©DYNABRADE, INC., 2010

PRINTED IN USA

PD10.31\_08/10

