

For Use With:

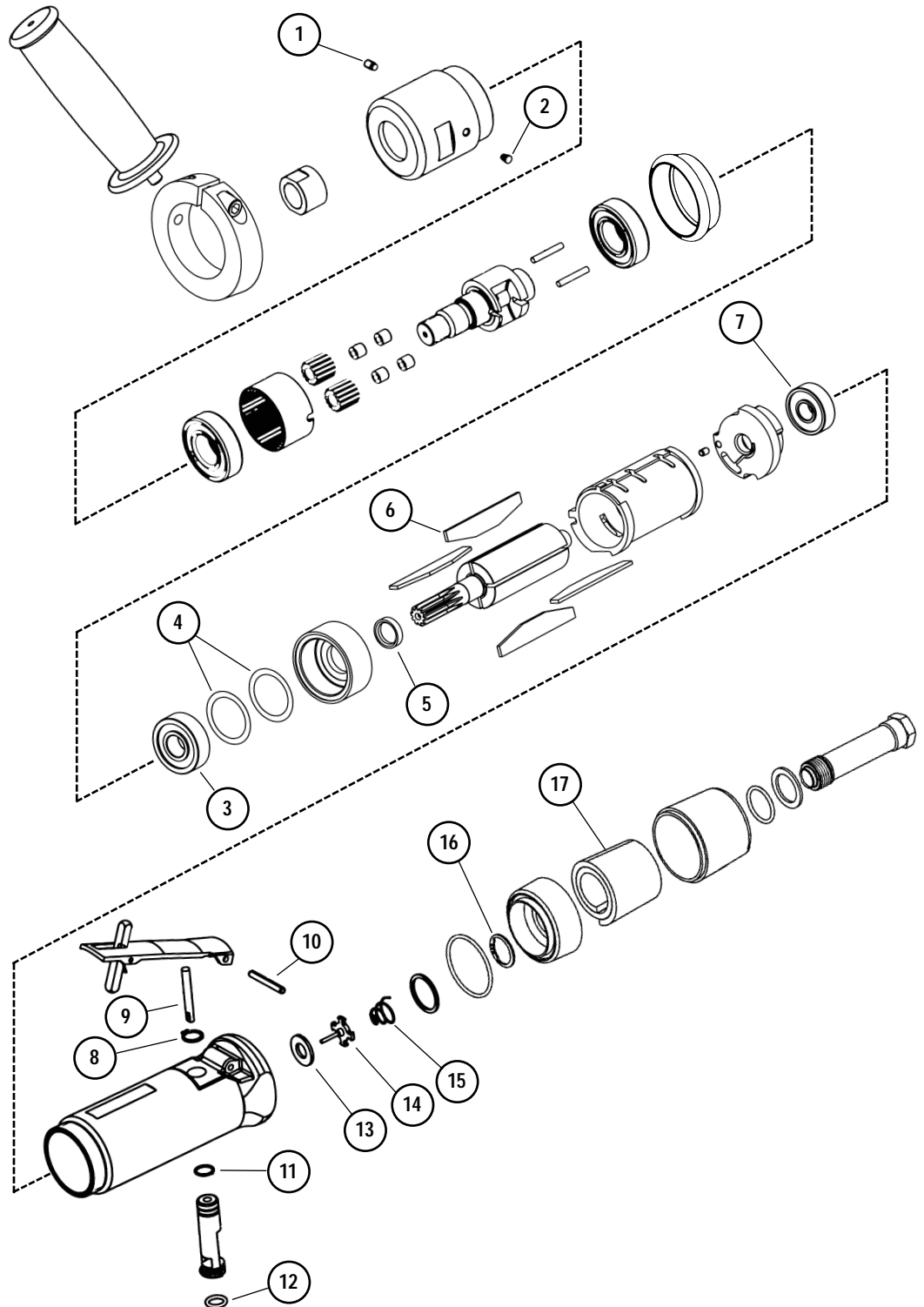
13200, 13201, 13202, 13203, 13204, 13205
 13206, 13207, 13220, 52100, 52101, 52102
 52103, 52104, 52105, 53001, 53004

96260 Tune-Up Kit

Refer to appropriate parts page for additional parts identification. Parts included in kit are identified by part number.

Current Vintage

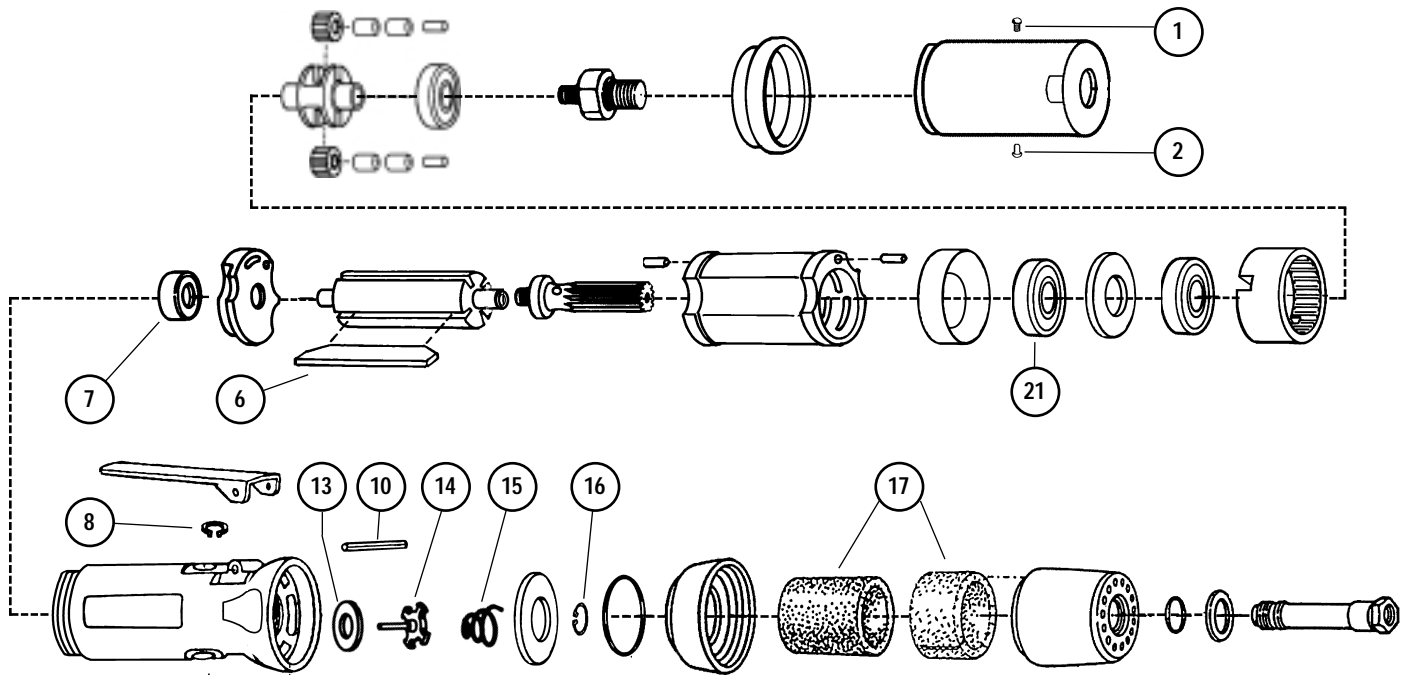
Index Key		
No.	Part #	Description
1	04014	Lock Screw
2	01041	Grease Fitting
3	01007	Bearing
4	01121	Shim (3/pkg.)
5	01010	Rotor Spacer
6	01185	Blades (4/pkg.)
7	02649	Bearing
8	95558	Retaining Ring
9	01477	Valve Stem
10	01017	Pin
11	95730	O-Ring
12	01024	O-Ring
13	01464	Seal
14	01472	Tip Valve
15	01468	Spring
16	95711	Retaining Ring
17	94528	Felt Muffler



See reverse side for previous Dynastraight models that are covered by 96260 Tune-Up Kit.

96260 Tune-Up Kit (Continued)

1997 Vintage – For use with model numbers: 13200-13220, 52100-52105, 53001, and 53004.



Index Key		
No.	Part #	Description
1	04014	Lock Screw
2	01041	Grease Fitting
3	01007	Bearing
4	01121	Shim (3/pkg.)
5	01010	Rotor Spacer
6	01185	Blades (4/pkg.)
7	02649	Bearing
8	95558	Retaining Ring
9	01477	Valve Stem
10	01017	Pin
11	95730	O-Ring
12	01024	O-Ring
13	01464	Seal
14	01472	Tip Valve
15	01468	Spring
16	95711	Retaining Ring
17	94528	Felt Muffler (Replaces two piece muffler)
18	01025	O-Ring
19	01022	Spring
20	01020	O-Ring
21	53174	Bearing

1989 Vintage – For use with model numbers: 13024-13030, and 13050. Supersedes (PD89-48) 95604 Motor Tune-Up Kit.

